

Update to NORDRED from The Directorate for Emergency Planning and Civil Protection (DSB)

Stein Solberg
JRCC-South

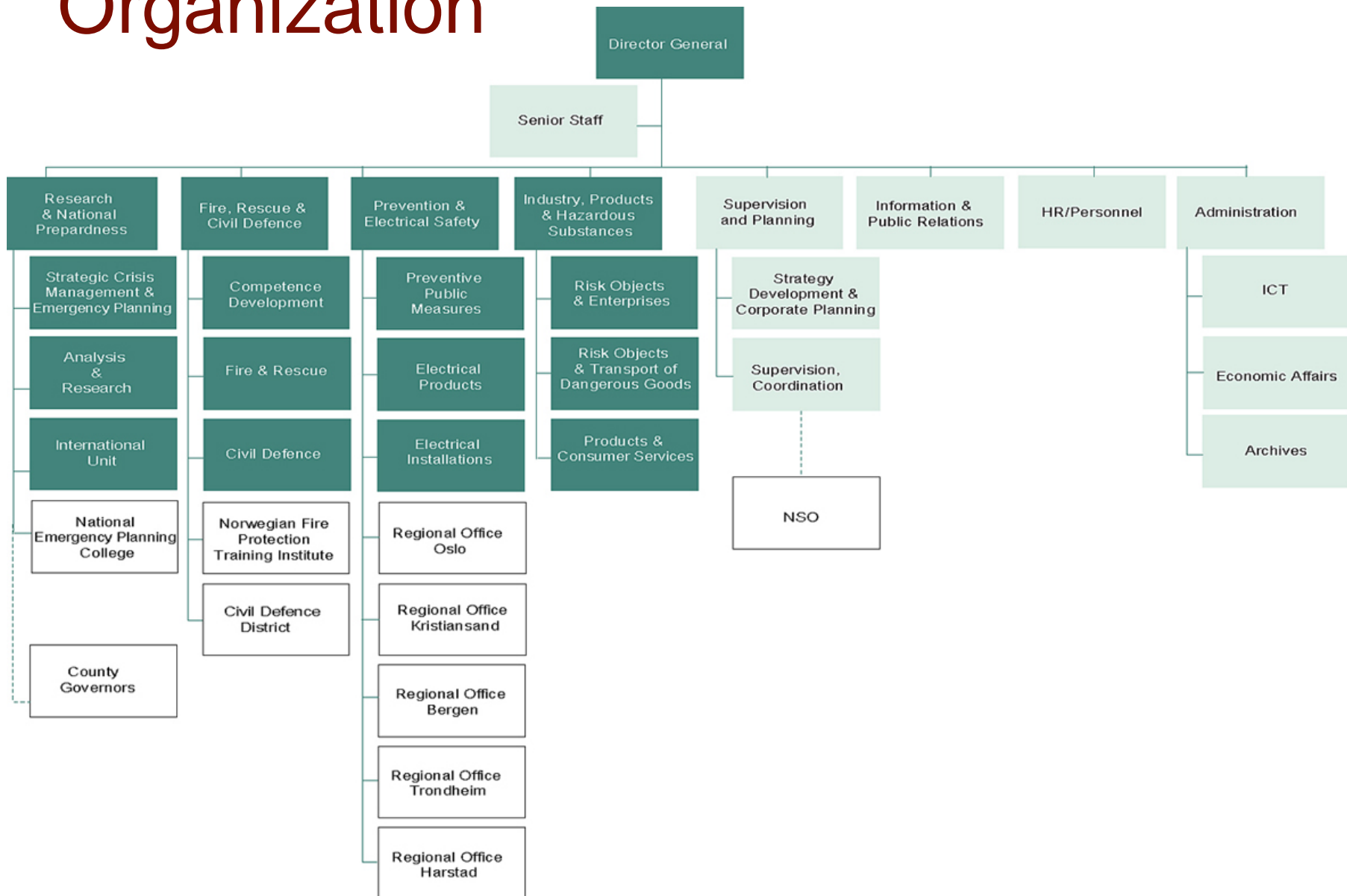
Topics

- The establishment of a new Directorate with an overarching responsibility
- The Norwegian Public Safety Radio Network Project
- Exercise Barents Rescue 2005
- “Styrkestrukturutvalget” – Assessing the new Civil Defence structure

The Directorate for Civil Protection and Emergency Planning (DSB)

- Established 01.09.2003 – incorporating the former Directorate for Civil Defence and Emergency Planning and the Directorate for Fire and Electrical Safety
- Approximately 700 employees, 240 of which are stationed at Head Office in Tønsberg
- 20 Civil Defence districts, five schools, five Civil Defence camps and five regional inspectorates for inspection and control within electrical safety
- Works under the authority of the Ministry of Justice and the Police

Organization



National public authority

DSB is the national public authority for

- Municipal and intermunicipal Fire Services
- Local Electrical Safety Inspection authorities
- County Governors' emergency preparedness and response work



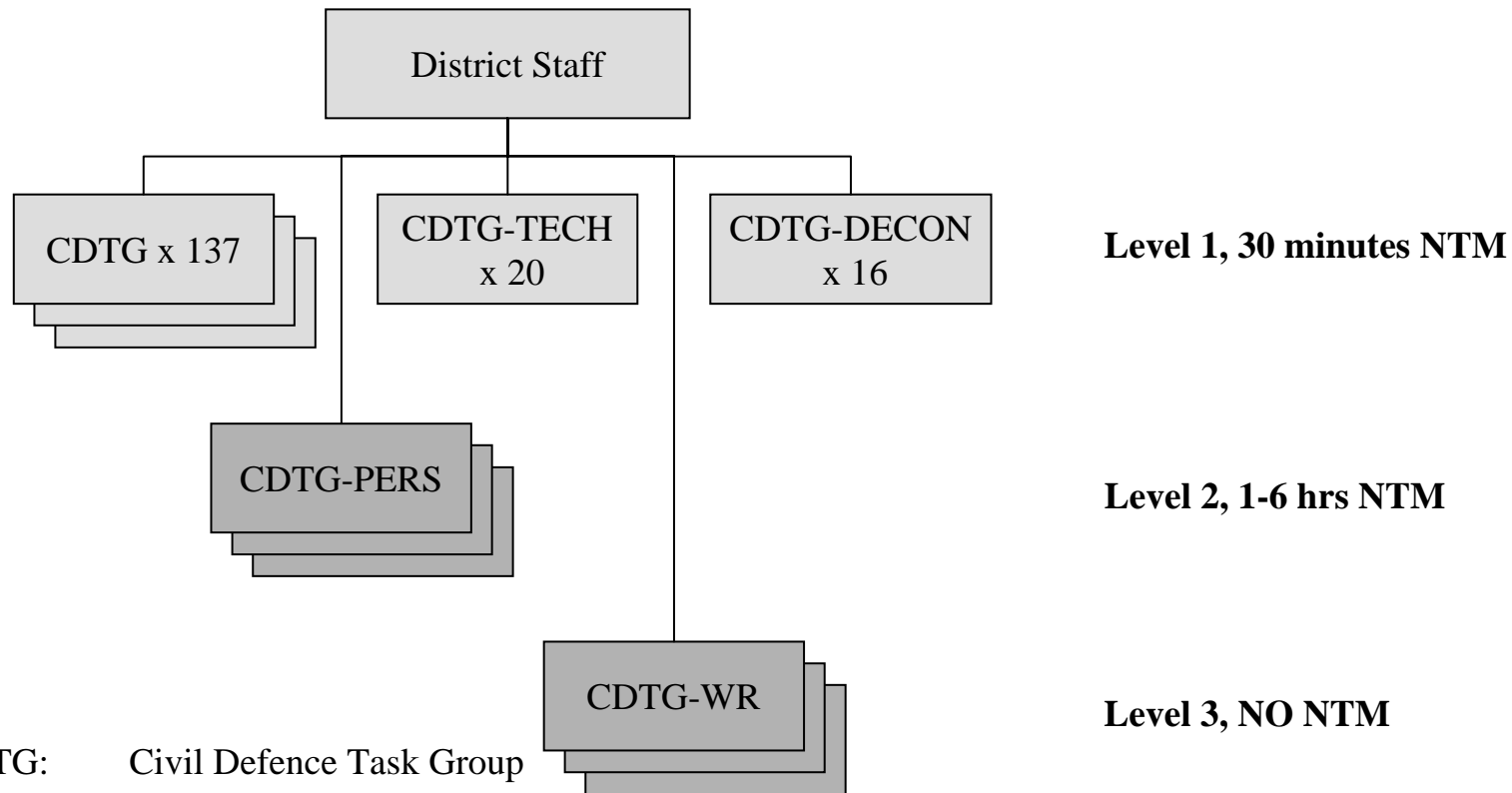
DSB has the professional and administrative follow-up of

- The Civil Defence
- The National Emergency Planning College
- The Norwegian Fire Protection Training Institute
- The Civil Defence's three regional schools

The Norwegian Public Safety Radio Project (Nytt nødnett)

- The Norwegian Government has decided to establish a digital public safety radio network in Norway
- The Norwegian Government proposed for the Parliament on 5th November to establish a joint digital public safety radio network for the fire department, the police and the health services.
- The network is estimated to cost about 440 million Euro. (3.6 bill NOK) Including controlrooms and 36000 terminals
- The aim is to complete a national network within the end of 2009.
- Start roll-out in 2006, and finished by the end of 2009.

Civil Defence – revised structure



CDTG: Civil Defence Task Group
DECON: Decontamination
TECH: Technical support
PERS: Personnel-units
WR: Wartime-reserve
NTM: Notice To Move

Civil Defence – revised structure

- An ongoing assessment, likely to be approved by the government in 2006
- Highly mobile and flexible units
- An overall personnel strength of 16 800
- Terminate the task of wartime public mass evacuation within the frame of the Civil Defence – Police task
- Terminate The Civil Defence`s responsibility for public shelters – will be a task for the owner of the shelter (municipality/private)